

MODEL RE RELAY UNIT



Features

- Low cost relay for switching larger loads and alternating pumps
- Plug-in mounting
- Use with any of NOHKEN single point level sensors when switching loads or control functions are required
- Isolated 5A relay contact

General Description

Model RE7000 is a control relay for switching higher currents and voltages than those a reed switch can cover. The RE7000 is designed that may be used in combination to provide a variety of control function, including multiple alarms and alternating pumps.

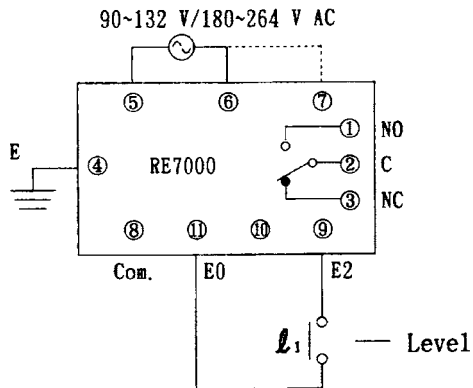
Specifications

Model	RE7000
Drawing	
Supply Power	90 to 132V/180 to 264V AC, 50/60Hz
Power Consumption	Approx. 1.5VA Max.
Relay Contact	1 SPDT, 240V 5A AC, 30V 5A DC (Resistive)
Power Source	8V 5mA AC
Operating Resistance	4 kΩ or less
Release Resistance	15 kΩ or more
Operating Temperature	0 to 50°C
Operating Humidity	85%RH Max.
Indication	Green LED for power states Red LED for relay states
Separation Distance	1km Max. Use CVV-S 0.75mm ² cable
Mounting	11-pin base, plug-in type

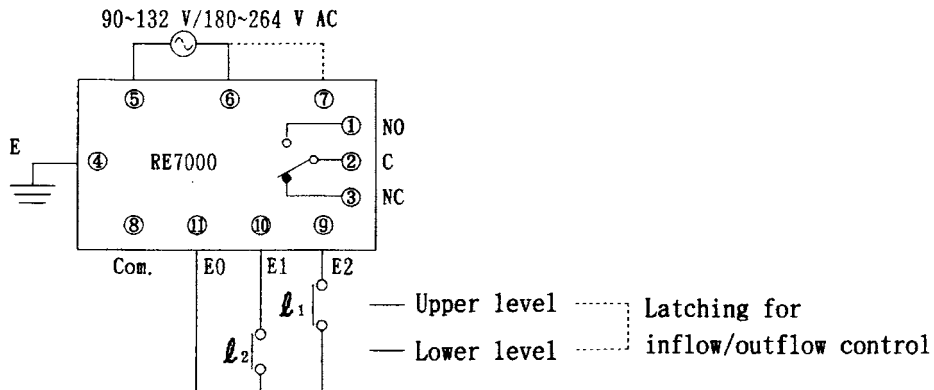
Base is optional and must be ordered separately.

Wiring Example

1. Wiring Diagram for High or Low Level Alarm



2. Wiring Diagram for Latching



3. Wiring Diagram for Latching with High and Low Level Alarm

